

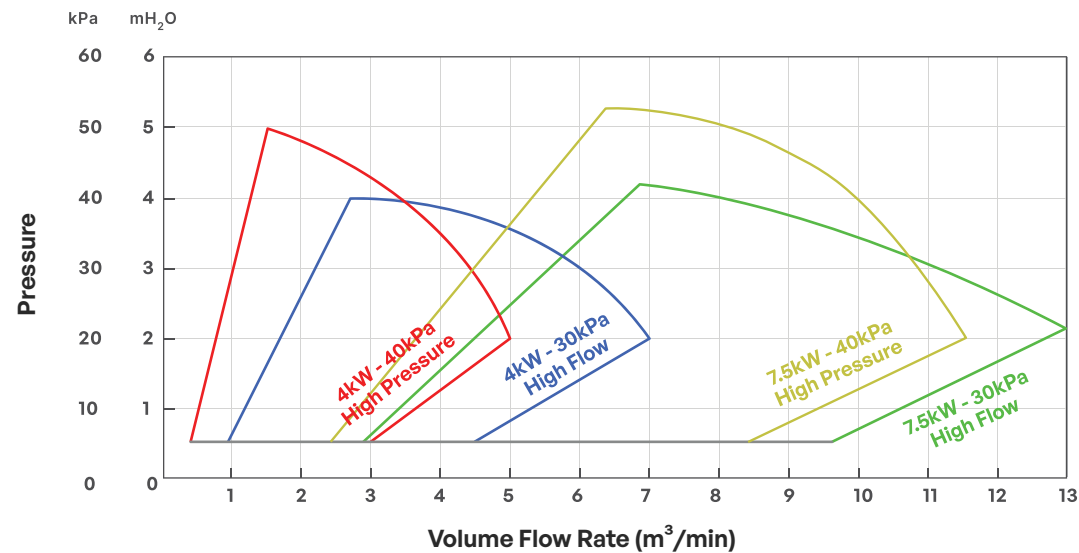
# Sprintex

## G15 Jet Blowers

### Technical Specifications

Model	Max. Pressure kPa gauge	Max. Flow Rate m <sup>3</sup> /min	Max. Flow Rate m <sup>3</sup> /h	Max. Speed rpm	Rated Power kW	Dimensions W x D x H mm	Compressed Air Connection Φ mm Hose Clamp	Max. Sound Pressure Level dB(A)	Mass kg
G15 4kW 40kPa High Pressure	50	4.7	282	80,000	3.5	596 × 346 × 318	39	71	11.2
G15 4kW 30kPa High Flow	40	6.8	408	80,000	4	604 × 268 × 355	58	72	12
G15 7.5kW 30kPa High Flow	40	12	720	80,000	7.5	604 × 268 × 355	75	74	19
G15 7.5kW 40kPa High Pressure	53	11.5	690	80,000	7.5	604 × 268 × 355	75	74	19

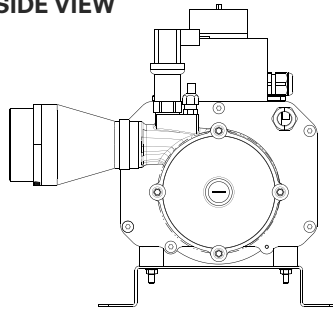
### Performance Range



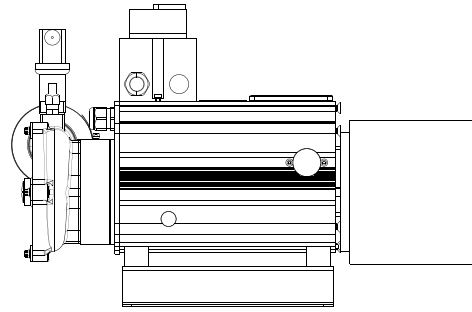
# Views

G15 4kW 40kPa High Pressure

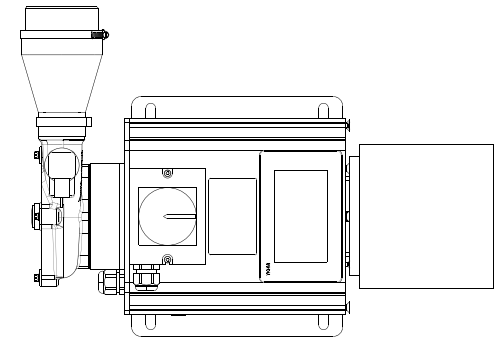
SIDE VIEW



FRONT VIEW

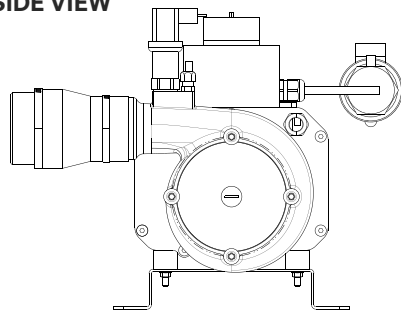


TOP VIEW

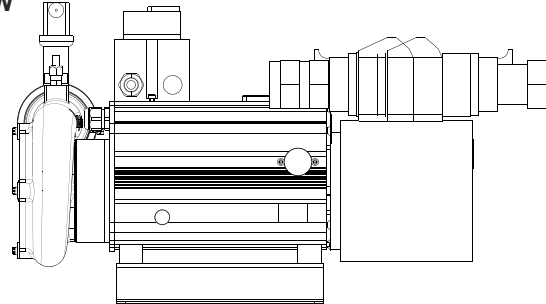


G15 4kW 30kPa High Flow

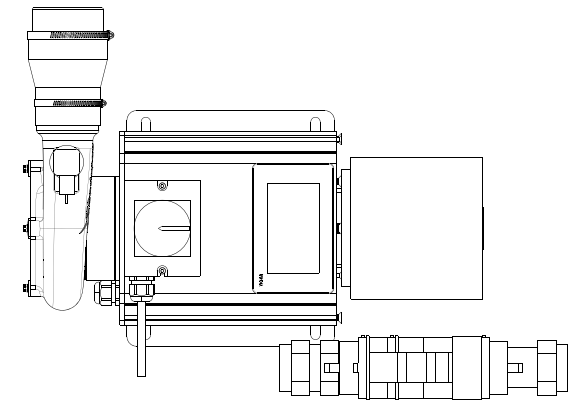
SIDE VIEW



FRONT VIEW

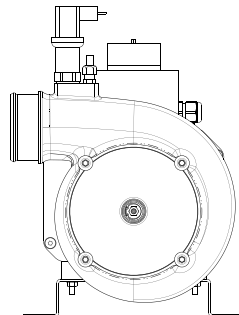


TOP VIEW

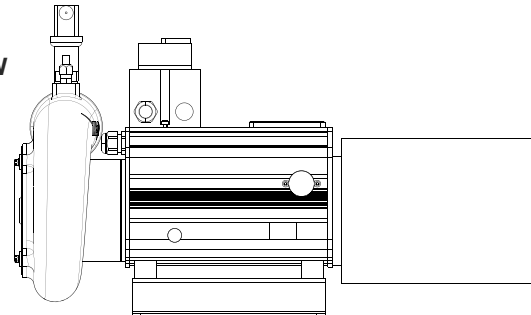


G15 7.5kW 30kPa & G15 7.5kW 40kPa

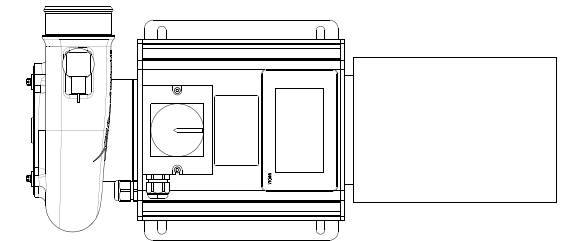
SIDE VIEW



FRONT VIEW



TOP VIEW



# Maximize your cost savings using our Jet Blowers.

**3X**  
Faster

**50%**  
more  
efficient



## Energy Efficiency

The G15 jet blower delivers over 50% energy savings vs existing industry blowers.



## Intelligent Control

Integrated touchscreen for autonomous, smart operation, enhancing system management and efficiency



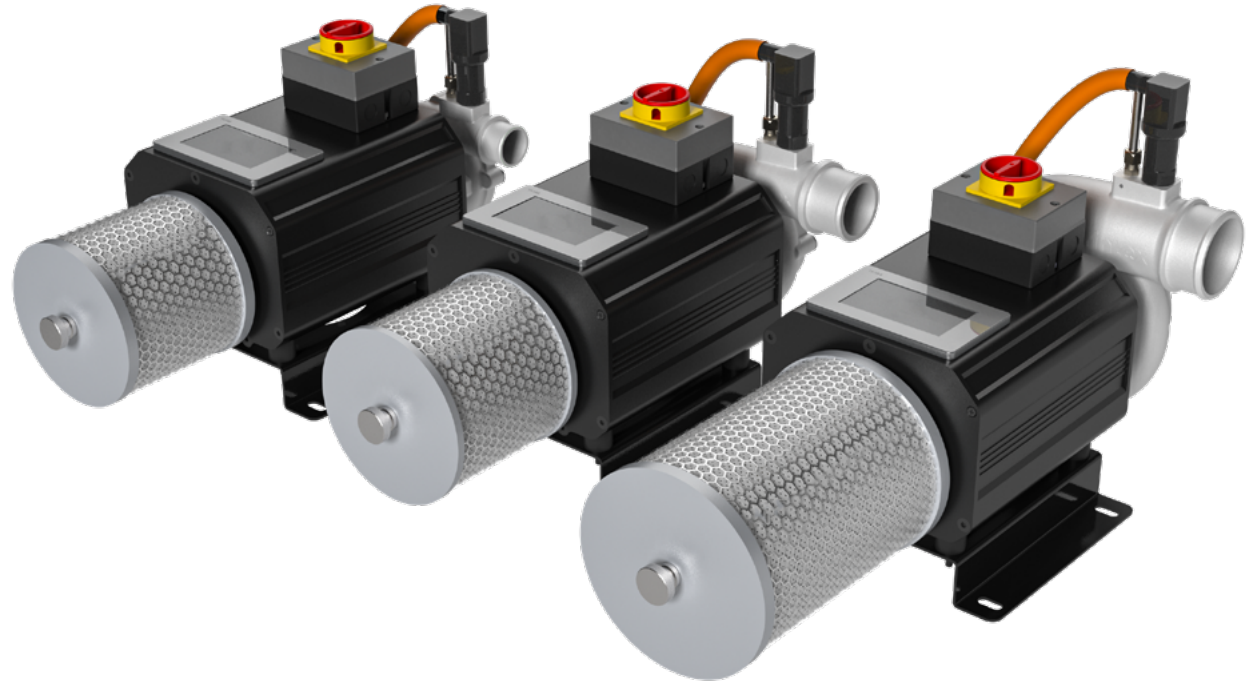
## Quiet Operation

Remarkably quiet, max noise 72dB, no need for an acoustic hood



## Easy-maintenance

18,000 hours maintenance free, parts list and self-guided service via our app available



**Get Smart  
About Energy  
– Scan for Your  
Savings.**



## Sprintex Australia HQ

283 Rokeby Road  
Subiaco, WA 6008  
PH: +61 8 9262 7277

## Email

enquiries@sprintex.com.au  
jay.upton@sprintex.com.au  
jeremy.lin@sprintex.com.cn  
thomas@smartaeration.au

**LET'S TALK**  
we're here to guide you.

for more information visit  
[www.sprintex.com.au](http://www.sprintex.com.au)  
[www.smartaeration.au](http://www.smartaeration.au)