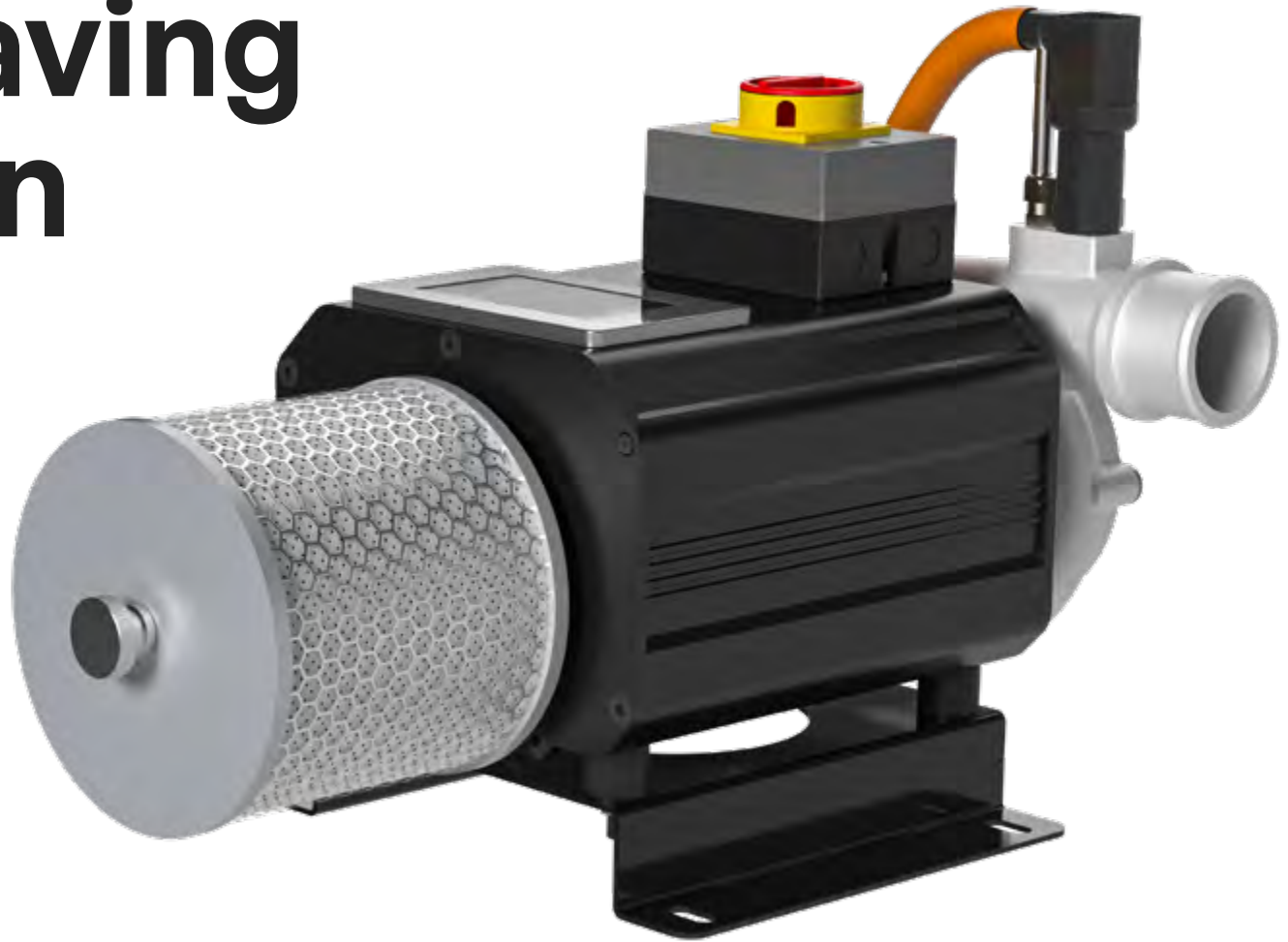


# Join us in the Energy Saving Revolution



 **Sprintex**

**G15 Jet Blower Series**

with Smart Pulse Aeration (SPA™) Technology

**3X**  
Faster

**50%**  
more  
efficient

# What is a Jet Blower?

Jet Blowers are advanced centrifugal blowers designed to operate at speeds up to 100,000 RPM—three times faster than conventional turbo blowers. Featuring a patented ultra-high-speed motor, Sprintex Jet Blowers are smaller, lighter, and quieter than even the latest turbo models.

These blowers offer exceptional energy efficiency, require zero maintenance over extended periods, and incorporate intelligent control systems, setting new performance standards in industrial blower technology.

## Your Advantages

- ✓ Sprintex Jet Blowers are ultra-high speed blowers
- ✓ Ranging from 80,000 – 100,000 rpm
- ✓ 3x Faster than Turbo Blowers
- ✓ More Air, Less Energy



G15 Jet Blower Series

G25 Jet Blower Series

# Sprintex G15 Jet Blowers

G15 4kW 40kPa High Pressure

G15 4kW 30kPa High Flow

G15 7.5kW 30kPa High Flow

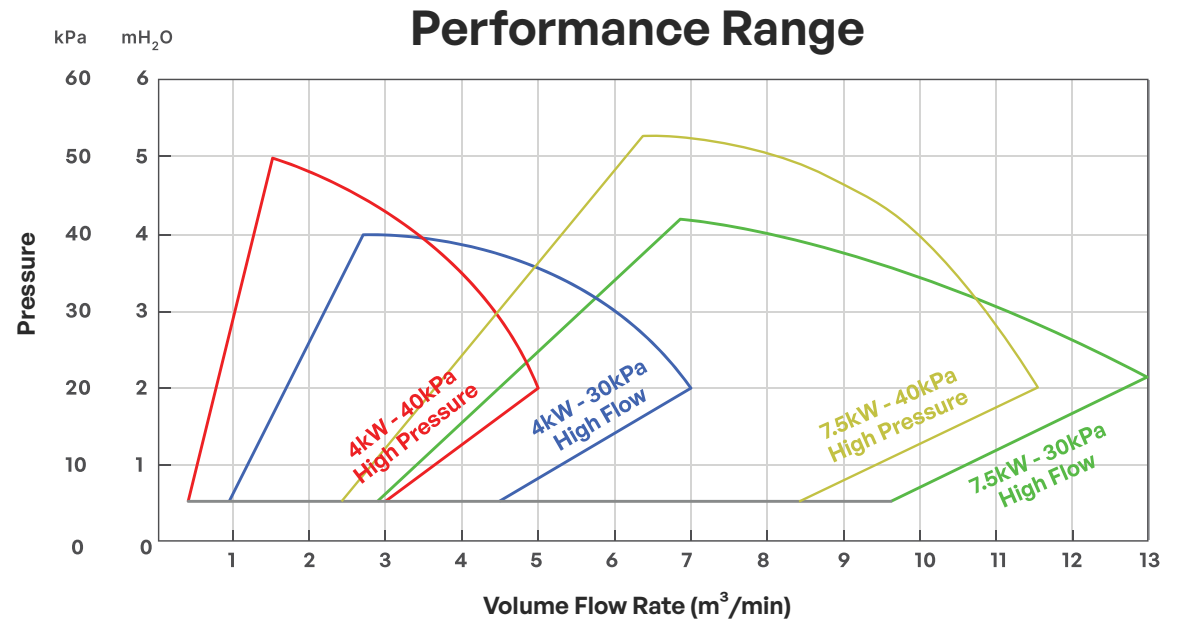
G15 7.5kW 40kPa High Flow

**3x**  
Faster

**50%**  
more  
efficient

## Technical Specifications

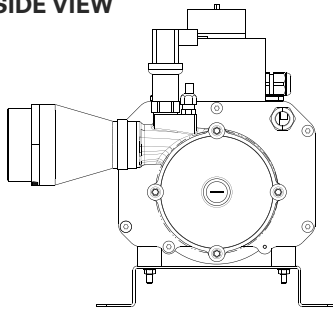
Model	Max. Pressure	Max. Flow Rate	Max. Flow Rate	Max. Speed	Rated Power	Dimensions W x D x H	Compressed Air Connection	Max. Sound Pressure Level	Mass
	kPa gauge	m <sup>3</sup> /min	m <sup>3</sup> /h	rpm	kW	mm	Φ mm Hose Clamp	dB(A)	kg
G15 4kW 40kPa High Pressure	50	5.0	300	80,000	3.5	507 × 343 × 335	75	71	11.2
G15 4kW 30kPa High Flow	40	7	420	80,000	4	503 × 359 × 341	75	72	11.8
G15 7.5kW 30kPa High Flow	40	13	780	80,000	7.5	601 × 265 × 374	75	74	14.8
G15 7.5kW 40kPa High Pressure	50	11.5	690	76,000	7.5	601 × 265 × 374	75	74	14.8



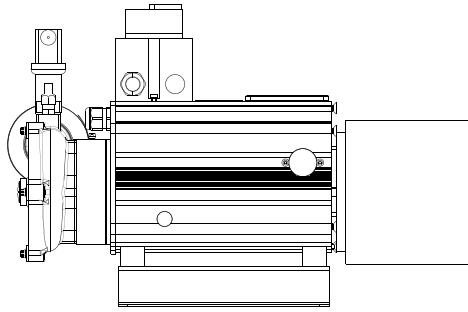
# Views

G15 4kW 40kPa High Pressure

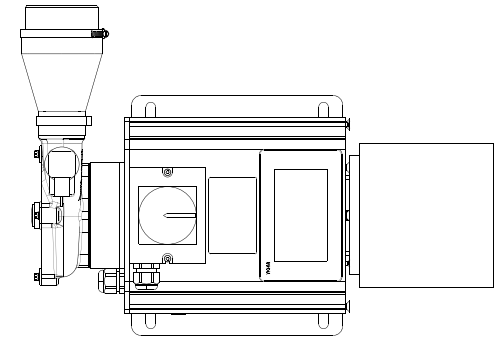
SIDE VIEW



FRONT VIEW

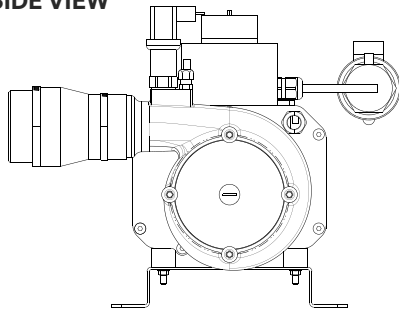


TOP VIEW

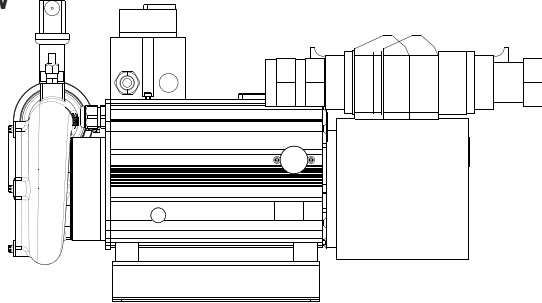


G15 4kW 30kPa High Flow

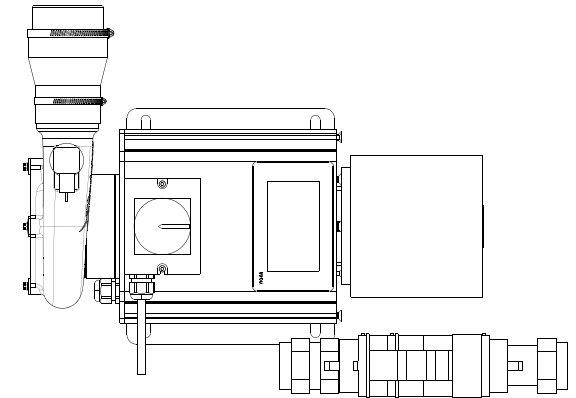
SIDE VIEW



FRONT VIEW

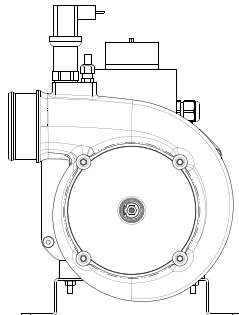


TOP VIEW

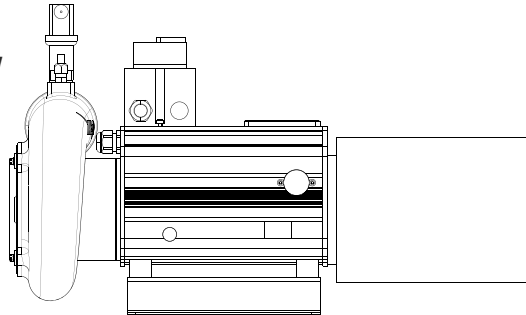


G15 7.5kW 30kPa & G15 7.5kW 40kPa

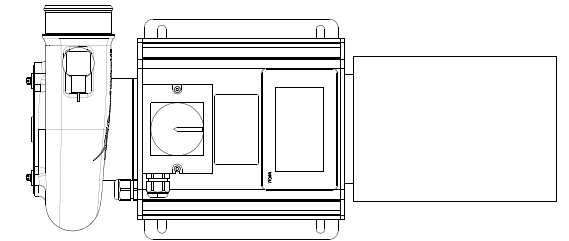
SIDE VIEW



FRONT VIEW



TOP VIEW



# Smart Aeration Solutions Benefits



## Smart Aeration Solutions



### Energy Efficiency

The G15 jet blower delivers over 50% energy savings vs existing industry blowers.



### Intelligent Control

Integrated touchscreen for autonomous, smart operation, enhancing system management and efficiency



### Quiet Operation

Remarkably quiet, max noise 72dB, no need for an acoustic hood

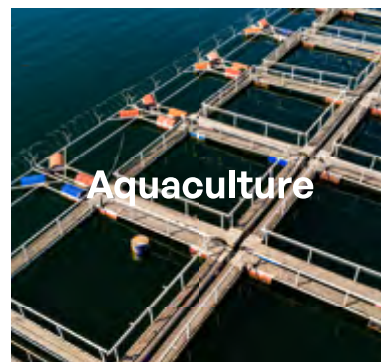


### Easy-maintenance

18,000 hours maintenance free, parts list and self-guided service via our app available

## Applications

Our solutions are aimed at multiple applications where clean and pressurized air is required to improve your facility or process to a more efficient level.



# Slash Energy Cost

## Annual Running cost in Wastewater Treatment



based on RRP,  
USD\$ 0.18 per kw/h energy pricing



\$15,935.70  
Side Channel  
Blower



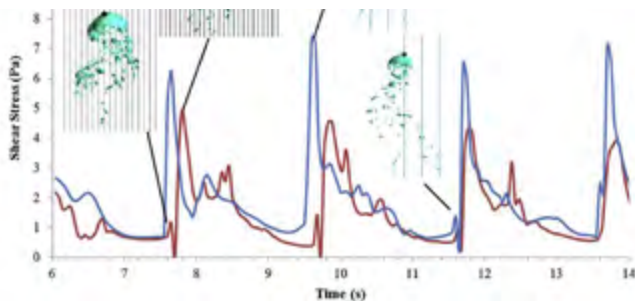
\$11,935.77  
Roots Style  
Blower



Pays for itself  
in 6 months

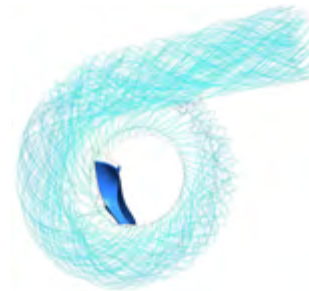
\$6807.80  
Sprintex G15  
Jet Blower

Our G15 Jet Blower, with SPA Technology and a high-efficiency convertor, redefines industry standards, offering a 75% efficiency advantage over Roots Blowers and 100% over Side Channel Blowers. The G-series represent a blend of environmental foresight and pioneering design, subtly crafted to meet our vision for sustainability and innovation.



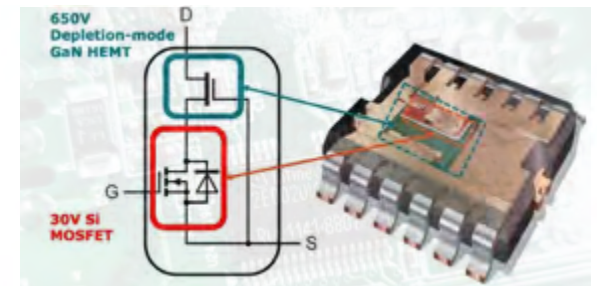
### Smart Pulse Aeration Technology

Smart Pulse Aeration (SPA) Technology harnesses variable speed and precise flow rate control to generate intermittent bursts of fine bubbles. This method enhances Oxygen Transfer Rates while also achieving up to a 30% reduction in energy consumption for water aeration processes.



### 80,000 RPM Impeller

Our 80,000 rpm impeller has been rigorously optimized through simulation and validated by the UK's foremost fluid dynamics team. This innovation delivers a significant 10% boost in efficiency over conventional centrifugal impellers, with a peak isentropic efficiency surpassing 82%.



### Cutting Edge Converter

Our advanced true-sinewave convertor, powered by the latest high-frequency GaN power electronics, attains an efficiency exceeding 96% and a power factor beyond 98%, ensuring exceptional thermal management in every 500-microsecond cycle.

# Intelligent Operation Mastery

The G15 is equipped with an integrated HMI, bolstered by pressure and temperature sensors, enabling sophisticated Anti-Surge Control and PLC Multi-Mode Operation. This integration elevates the blower to a new level of intelligence, allowing for automated operation and versatility across diverse operational requirements.



## Patented Flat Wire Motor

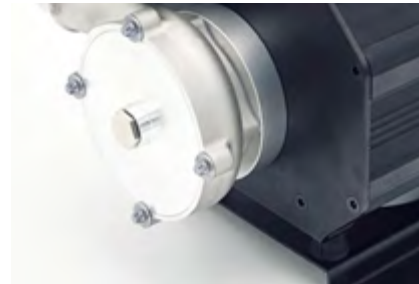
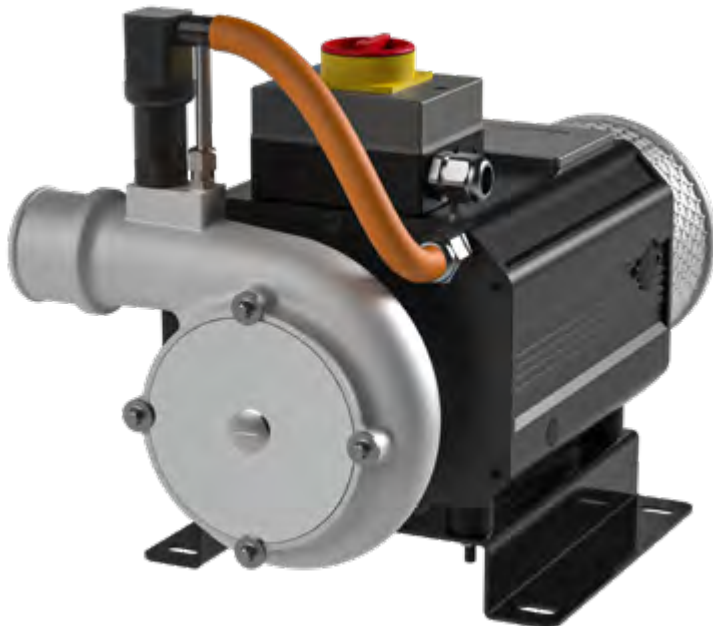
Our patented flat wire motor utilizes cutting-edge electromagnetic technology to minimize stator heat loss, ensuring sustained motor performance with no derating over extended operational periods.

Power  
Mode

Flow rate  
Mode

SPA  
Mode

Pressure  
Mode



## Surge Protection Monitoring

The operating of the jet blower is monitored at all times by temperature, pressure, speed, electrical current and voltage sensors, to prevent surge or choke events due to unexpected changes in operating conditions.



## Adaptive Control Interface

The G15 offers a PLC Multi-mode Control system, granting users the flexibility to choose from various control modes to match the required power level, flow rate, or pressure. Accessible through a touch-screen HMI or an optional mobile phone remote control, this system also allows for vigilant monitoring and recording of operational data and the blower's health status.

# Compact and Powerful



## Innovative Shaft Design

G15 incorporates a proprietary shaft design and a lightweight motor rotor, with the total rotor weight (including the impeller) not exceeding 120 grams. This design is more bearing-friendly, ensuring enhanced system durability.



## Superior Durability through Specialized Coatings

Furthermore, we've applied a special coating treatment to the impeller to guarantee exceptional performance over many years of operation. PCB protected with high spec conformal coatings.



## Superior Longevity

The G15's unique attributes provide exceptional longevity, ensuring maintenance-free performance for up to two years, thereby outlasting the service life of market alternatives.



# Benefits of IoT Connectivity in Sprintex Jet Blowers



## Optional Extended Warranty and Service Coverage

- G15 Blowers: Optional warranty extension from 12 to 36 months.
- G25 Blowers: Optional warranty extension from 24 to 48 months.
- Includes first service after 18,000 running hours (parts and labour) and automated performance monitoring.
- Available at an additional cost.

## Enhanced Operational Efficiency

- Real-time energy efficiency scores to optimise energy consumption.
- Remote management for uninterrupted operations

## Value-Added Services

- Proactive maintenance to prevent failures and extend equipment lifespan.
- Transparent third-party extended warranty service.

## Real-Time Monitoring and Proactive Support

- Continuous data capture on inlet and outlet temperature, flow, pressure, and energy consumption.
- Cloud storage with web and smartphone access.
- Automated alerts for timely interventions

## ESG Compliance

- Aeration is a significant energy draw in many processes. Our blowers significantly reduce energy consumption, supporting sustainability initiatives.
- Detailed sustainability reporting to support ESG goals.

IoT connectivity in Sprintex jet blowers ensures improved performance, reduced costs, increased reliability, and a positive environmental impact, making it a smart and valuable investment for all stakeholders. Optional extended warranty packages provide additional peace of mind and cost-saving benefits.

# Operational Efficiency Comparison



**Sprintex G15 Jet Blower**



**Side Channel Blower**

Comparison	Number of Blowers	Pressure (mbar)	Flow (m <sup>3</sup> / hr)	Operation Power (kW)	Total Power Consumption (kWh) per Year (8400hr)	Total Energy Cost (US\$0.18/kWh)	Total Cost Saving per year (USD)	Investment Payback Period
Sprintex G15 Jet Blower	1	250	228	1.9	15,960	US\$2,873	US\$5,443	6 months
Side Channel Blower	1	250	228	5.5	46,200	US\$8,316	-	-

Traditional side flow blowers draw a significant share of monthly operational costs due to their substantial energy usage. Additionally, they necessitate regular lubrication and maintenance involving oil, leading to two extra recurring expenses.

The G-15 Jet Blower, on the other hand, is equipped with our latest technology. Its intelligent automation and superior airflow and pressure output enable savings of \$2,400 per unit each year, resulting in energy expenditure reductions of over 50%.



## Case Study: Advancing Energy Efficiency and Environmental Care

📍 Jiangsu, China

In an industry landscape where energy conservation and environmental care are paramount to competitiveness, businesses are actively adopting more sustainable solutions.

The G Series Jet Blower by Sprintex has become a sought-after choice for its notable efficiency and low maintenance demands. This commitment to sustainability is exemplified by an environmental firm in Jiangsu Province, China, which decided to upgrade its aging side flow blowers.

Following a meticulous site analysis by Sprintex technical experts, the G15-4kW Jet Blower was selected as the superior energy-efficient replacement, reflecting the company's proactive approach to eco-friendly operations.



**Jay Upton**

Managing Director / CEO  
of Sprintex

“Sprintex Ltd is a company with more than 40 years history as a professional manufacturer in the compressor industry.

Headquartered in Perth, Australia, the company operates wholly-owned subsidiaries in Malaysia, United States and China.

Sprintex’s products, including twin-screw compressors, centrifugal air compressors, electronic boosters, and more, have been applied across numerous industries. Praised by customers worldwide for decades, Sprintex has now brought its next generation technology to its G series Jet Blowers.

I’m confident that the Sprintex G series Jet Blower will be a game changer of the blower market, with its extraordinary energy-saving capabilities, remarkably compact size and weight, reduced noise, and extended durability.”

---

#### Sprintex Australia HQ

283 Rokeby Road  
Subiaco, WA 6008  
E: [enquiries@sprintex.com.au](mailto:enquiries@sprintex.com.au)  
PH: +61 8 9262 7277

#### Sprintex USA Inc.

2265 Pontiac Road  
Auburn Hills  
MI 48326 USA  
E: [info@sprintexusa.com](mailto:info@sprintexusa.com)  
PH: +1 855 591 2778

#### Sprintex Clean Air ( Malaysia ) Sdn. Bhd

No. 2, Jalan Peguam U1/25  
Hicom-Glenmarie Industrial Park  
40150 Shah Alam,  
Selangor Malaysia  
E: [adzlan@sprintex.com.my](mailto:adzlan@sprintex.com.my)  
PH: +603 7803 1830

#### Sprintex Energy Technology (Suzhou) Co., Ltd

Building A6, 1 Xincheng Road,  
Kunshan, Suzhou City, China  
E: [jeremy.lin@sprintex.com.cn](mailto:jeremy.lin@sprintex.com.cn)  
PH: +0086 18101876276

# Maximize your cost savings using our Jet Blowers.



Get Smart About  
Energy – Scan for  
Your Savings.

**LET'S TALK**  
we're here to guide you.

for more information visit  
[www.sprintex.com.au](http://www.sprintex.com.au)  
[www.smartaeration.au](http://www.smartaeration.au)

